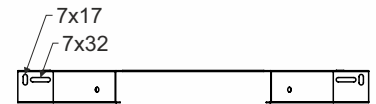
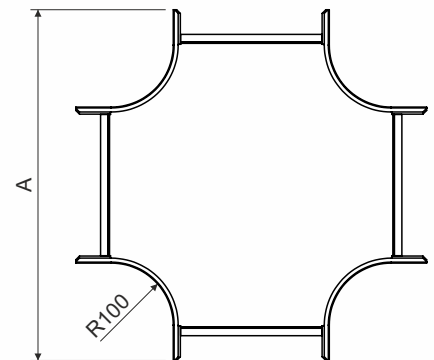
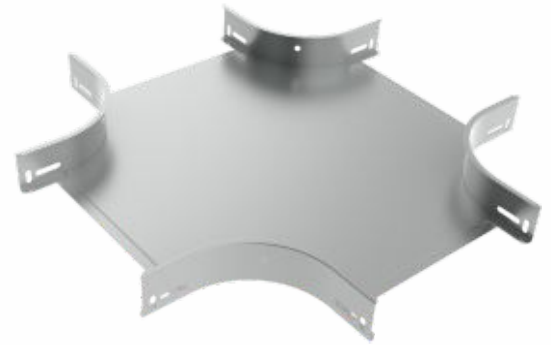


| item number          | for width of cable tray | for height of cable tray | A   | thickness of metal sheet | weight kg/pc | amount of bolts for connection | 🔥 |
|----------------------|-------------------------|--------------------------|-----|--------------------------|--------------|--------------------------------|---|
| <b>NKR 50X62_S</b>   | 62                      | 50                       | 379 | 0,7                      | 0,62         | 8                              | 🔥 |
| <b>NKR 50X62_F</b>   |                         |                          |     |                          |              |                                |   |
| <b>NKR 50X125_S</b>  | 125                     | 50                       | 442 | 0,7                      | 0,85         | 8                              | 🔥 |
| <b>NKR 50X125_F</b>  |                         |                          |     |                          |              |                                |   |
| <b>NKR 50X250_S</b>  | 250                     | 50                       | 567 | 0,7                      | 1,43         | 8                              | 🔥 |
| <b>NKR 50X250_F</b>  |                         |                          |     |                          |              |                                |   |
| <b>NKR 100X125_S</b> | 125                     | 100                      | 442 | 0,7                      | 1,15         | 16                             | 🔥 |
| <b>NKR 100X125_F</b> |                         |                          |     |                          |              |                                |   |
| <b>NKR 100X250_S</b> | 250                     | 100                      | 567 | 0,7                      | 1,73         | 16                             | 🔥 |
| <b>NKR 100X250_F</b> |                         |                          |     |                          |              |                                |   |
| <b>NKR 100X500_S</b> | 500                     | 100                      | 817 | 0,7                      | 3,41         | 16                             | 🔥 |
| <b>NKR 100X500_F</b> |                         |                          |     |                          |              |                                |   |



product description: The cross-over is used to connect cable trays that cross over on one level running through cable trays MARS of the same width.

Unequal cross there is possible to replace by use of reductive parts NRD.

To fix the connection use the bolt NSM 6X10. To protect the cables, the bolt head is inside the cable tray.

A bolt with a GMT surface finish is used for a tray with an F surface finish.

These items can also be ordered in a varnished version.

surface finish: S - Pre-Galvanized, zinc-layer 15 - 27 µm  
F - Hot Dip Galvanized, zinc-layer 45 µm (min. 35 µm)

sales amount: á 1 pc

certification: EN 61537:02

classification 🔥: ČSN 73 0895 P 90-R  
DIN 4102-12 E 90  
STN 92 0205 PS 90

Fire classification depends on the specific conditions of the cable tray, detailed in the catalog Systems with maintained functionality in fire

🔥 products are approved for non-standard constructions

storage: EN 60721-3-1

